

# VERTICAL AWNINGS

ZIPLINE  
NOVOLINE  
MARKISOLETTE  
OPENLINE



# ALWAYS THE BEST CLIMATE AT HOME



## ZIPLINE

The vertical awning for the highest standards. Its lateral zip fastening guide rail allows higher wind stability to be achieved, and avoids light gaps.



## NOVOLINE

Versatile façade awning for use on large area glass façades. The NOVOLINE is also suitable for shading windows and doors as well as conservatories.



## MARKISOLETTE

The Markisolette with extending arm is suitable for use on glass façades, for shading windows and doors, and for conservatories.



## ADVANTAGES

First impressions are often decisive. The vertical awnings from **WOUNDWO** – a technical and at the same time very decorative assortment – have already established themselves as “designer sun protection”.

The individual design variants allow you to emphasize the style of your house, without having to forgo the most important thing – sun protection!

### THE PRODUCT FOR EVERY SEASON

Summer or winter – vertical awnings offer excellent summer heat protection and bring colour and light into your home even in the colder seasons. The translucent and breathable textile screen ensures a pleasant atmosphere in your living areas and creates a feeling of proximity to nature and the garden.

### CREATIVE ACCENTS – OUTSIDE AND INSIDE

Whether a free-standing façade element or integrated in the window reveal – a vertical awning sets the accent in your living space and gives a southern flair to any patio or balcony. Use vertical awnings to create a harmonious façade design or add attractive, eye-catching features to your building façade, the choice is yours. Vertical awnings guarantee excellent shading of interior and living spaces, without sacrificing brightness and transparency.

### PRIVACY AND ANTIGLARE PROTECTION

Vertical awnings allow you to enjoy your privacy undisturbed. The textile sun protection provides pleasant shading for your living areas from natural sunlight. Adequate light levels are maintained inside rooms while prying eyes are kept out. And while you enjoy the pleasant atmosphere of the shady room, you can take pleasure in the fact that vertical awnings also offer excellent antiglare protection for your “private cinema”.

### A WIDE RANGE OF COLOURS AND DESIGNS

Vertical awnings from **WOUNDWO** allow you to emphasise the unique building architecture of your home. The vertical awning can become an expressive design tool, combining quality, durability, design and optimum comfort. With the wide range of fabrics and colours offered by **WOUNDWO** it's up to you whether you use your vertical awnings to set colour accents, or whether the awnings blend softly and harmoniously with your building façade.



### OPENLINE

Versatile façade awning without a headbox. For primary use indoors, but also used for external shading as a shaft element.

## OPERATING OPTIONS

Choose between hand crank, wired motor, radio-controlled motor or the SOMFY io homecontrol® radio-controlled motor, which allows seamless integration into a smart home system. Solar-powered motors also allow motorisation without an additional power connection. Increase your comfort with a wind sensor or sun sensor.



Crank



230 V Motor



Radio motor



Smart Home



Solar-powered radio motor

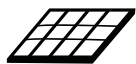


# HIGHLIGHTS AND ACCESSORIES



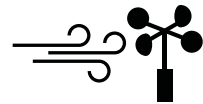
## SMART HOME

Products from **woundwo** can be installed flexibly and are compatible with a wide range of smart home systems – whether completely automated or operated via smartphone or remote control.



## SOLAR POWER

If there's no connection for power supply, you can still have the luxury of motorised shading. The solar panel with integrated battery is the perfect add-on to this product design.



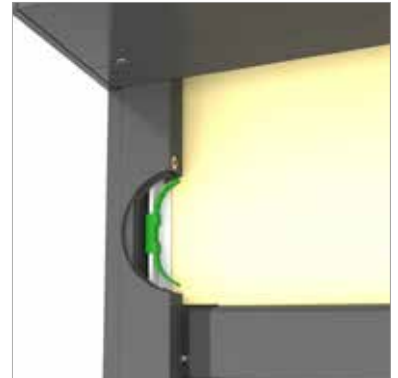
## WIND, LIGHT AND RAIN SENSOR

If limits for wind strength and light intensity are exceeded or fallen below, your product will automatically retract or extend. You can also control the reaction to rain – make your sun protection smart!



## ZIP GUIDE

The lateral zip guide with specially developed compensating springs ensures that the fabric is always under optimum tension and prevents damage by wind gusts, for example. In general, this system features wind stability and weather resistance that set it apart from similar products. Maximum width: 6 meters!



## LIGHTVIEW LIGHT STRIP SYSTEM

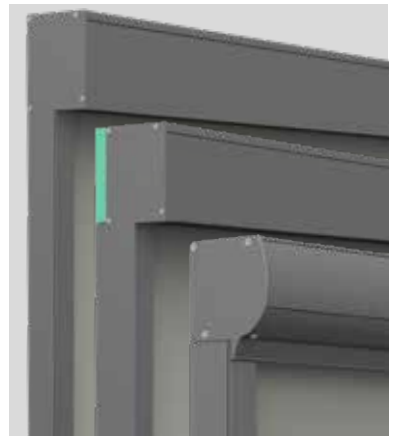
Do you want more light on the patio? With our Lightview lighting system, no problem. A continuous light strip in naturally anodized aluminium profile brings up to 720 lumens of dimmable light per metre to your terrace at the touch of a button. Better still: once fitted, the lighting strip can be rotated through +/- 45°.



## HEADBOX SHAPES

With your choice of headbox shape, you're making a crucial product decision:

- The square-cut headbox can be perfectly integrated into the wall reveal, and works well with a straight-line architecture style.
- The semicircular box is often used as a façade design element because the shape of the box can be used to give your design a specific look and feel.
- The plaster base version is a box that is integrated into the façade, and is all but invisible from the outside.



### FIND YOUR IDEAL SOLUTION!

Whether with cable or guide rails, with a round or square headbox – the vertical awning is the best shading solution.

# COLOURS DESIGNS AND FABRICS

## MORE THAN JUST A FABRIC!

The sun means life. But the life-giving sun can also be dangerous due to UV radiation. The fabric of a vertical awning protects, shades, creates colour atmosphere, designs and decorates. The fabric sets the mood and influences personal wellbeing by filtering and colouring the light, giving the room and the environment a special colour tone. This effect is determined principally by the colour, pattern and translucency of the blind fabric.

## SATINE 5500

Excellent heat insulation: up to 90% of solar energy is filtered when applied externally (gtot = 0.01)

- Excellent antiglare protection provided by the satiné weave and optimal daylight incidence: up to 96% of light radiation is filtered
- Transparency: good through-vision to outside
- Resistant to weathering

## LUMERA SOLIDS

This premium awning fabric is characterised by particularly brilliant colours, whose high luminosity lasts an extraordinarily long time. This is due to the very smooth and dense surface of the fabric, which makes it harder for dirt to adhere (effective self-cleaning effect). The fabric is also extremely water repellent.

## SOLTIS 92

Our Soltis 92 is a true heat shield. Thanks to its microventilation, it regulates the heating effect of the sun and limits the greenhouse effect. Its unrivalled thermal performance reduces the use of air conditioning in buildings and has a positive effect on the total energy requirement of your house. In addition, Soltis 92 provides unequalled transparency without glare.

## ACRYLIC SOLIDS

The material properties and special surface finish of acrylic awning fabrics have proved effective against soiling of the fabric. Acrylic fabrics are distinguished in particular by a wide selection of strong colours. In addition to all these positive properties, sun protection is not neglected – the UV protection of these fabrics varies from factor 40 to factor 80.

## TWILIGHT

The quality of Twilight fabrics sets new standards! Twilight fabrics are made from polyester fibres and have been specially developed for facade shading. The aluminised fabric structure provides optimal protection against light and solar radiation, as well as low area weight. Twilight fabrics are high-tech and odourless fabric products for sophisticated requirements and give every vertical awning a refined, modern appearance.

## FRAME COLOURS

With over 200 RAL frame colours and more than 350 fabrics, you can find your favourite awning at **WOUNDWO** – however unusual the request! There's a perfect awning model for virtually all dimensions and styles.



### UV PROTECTION

Acrylic fabrics are high-quality awning fabrics which are equipped with a range of extras to make them ideal for demanding outdoor applications.



### TEXGARD – EASY-CLEAN

Due to a special textile finishing, these fabrics have particularly useful properties. These include low soiling tendency, high water resistance and a reduced surface tension.



### PREVENT OVERHEATING

Reduce solar radiation with an awning and prevent overheating of your living space.



# ZIPLINE



The ZIPLINE from **WOUNDWO** is the first choice for outdoor spaces for many home-owners. Because with the right fabric, they can be precisely configured for heat insulation, antiglare protection, transparency or privacy, as required. Thanks to its gapless guide rail in the closed position, ZIPLINE, the vertical starter among shading solutions, also provides reliable insect protection. Due to its sturdy guide rail, ZIPLINE can even withstand wind gusts of up to 80 km/h.

## THE BENEFITS TO YOU

- Zip fastening guide rail, no light gap between guide rail and fabric
- Standard io homecontrol radio motor
- smart control optional
- Optional LED light strip
- over 200 RAL colours and more than 350 fabrics
- Highly weatherproof fabric, dirt-repellent and light-fast
- Very good wind stability



Crank



230 V Motor



Radio motor



Smart Home



Solar-powered radio motor



**ZIPLINE P120**  
with flush-mounted housing, guide rail  
Max. width 4,000 mm  
Max. height 3,000 mm



**ZIPLINE E120 / E150**  
with square-cut headbox, guide rail  
Max. width 6,000 mm  
Max. height 5,000 mm



**ZIPLINE E93**  
with square-cut headbox, guide rail  
Max. width 2,500 mm  
Max. height 2,500 mm



**ZIPLINE R95 / R120**  
with round headbox, guide rail  
Max. width 6,000 mm  
Max. height 5,000 mm



# NOVOLINE



The classic among façade awnings. The numerous design variants cover a wide range of options, so design and visual appearance can be individually adjusted to match the architectural style. An adornment for every façade – functional, versatile and just right every time! The universal façade awning is primarily suitable for use on large-area glass facades, but is also ideal for shading windows and doors, as well as conservatories. Fitted with cable or guide rails, it's the perfect shading solution.

## THE BENEFITS TO YOU

- cable guide or guide rails
- Standard io homecontrol radio motor
- smart control optional
- over 200 RAL colours and more than 350 fabrics
- Highly weatherproof fabric, dirt-repellent and light-fast
- Very good wind stability

## OPERATION



Crank



230 V Motor



Radio motor



Smart Home



Solar-powered radio motor



### NOVOLINE E150

With square-cut headbox,  
cable guide or guide rails  
Max. width 6,000 mm  
Max. height 5000 mm



### NOVOLINE E102

With square-cut headbox,  
cable guide or guide rails  
Max. width 4,000 mm  
Max. height 3,500 mm



### NOVOLINE R122

with round headbox  
cable guide or guide rails  
Max. width 4,000 mm  
Max. height 3,500 mm





# MARKISOLETTE



**MARKISOLETTE E102**  
With square-cut headbox  
Max. width 3,000 mm  
Max. height 3,500 mm



**MARKISOLETTE R122**  
with round headbox  
Max. width 3,000 mm  
Max. height 3,500 mm

The MARKISOLETTE is a façade awning with an extending arm. The numerous design variants cover a wide range of options, so design and visual appearance can be individually adjusted to match the architectural style. An adornment for every façade – functional, versatile and just right every time! The façade awning is ideal for shading windows and doors as well as conservatories. Fitted with guide rails, it's the perfect shading solution.

## THE BENEFITS TO YOU

- Extending arm
- rail guided
- Standard io homecontrol radio motor
- smart control optional
- over 200 RAL colours and more than 350 fabrics
- Highly weather-proof fabric, dirt-repellent and light-fast
- Very good wind stability

## OPERATION



Crank



230 V Motor



Radio motor



Smart Home



Solar-powered radio motor

# OPENLINE



The OPENLINE is the “purist variant” of façade awnings, as it has no cassette at all. A versatile model, can be used both indoors and outdoors. In indoor spaces it’s ideal for shading very large glass surfaces and, in the wind-free indoor environment, it can even be set up as a free-hanging variant, without rails or cable guide. For outdoor use it can be integrated almost invisibly into structural façade shaft elements, becoming an integral part of the façade.

## THE BENEFITS TO YOU

- free-hanging, rail- or cable-guided
- Standard io homecontrol radio motor
- smart control optional
- over 200 RAL colours and more than 350 fabrics
- Highly weatherproof fabric, dirt-repellent and light-fast
- Very good wind stability

## OPERATION



Crank



230 V Motor



Radio motor



Smart Home



Solar-powered radio motor



**OPENLINE**  
free-hanging (indoor use only)  
Max. width 5,000 mm  
Max. height 5,000 mm



**OPENLINE**  
cord guided  
Max. width 5,000 mm  
Max. height 4,000 mm



**OPENLINE**  
rail guided  
Max. width 5,000 mm  
Max. height 5,000 mm



# PRODUCT OVERVIEW

PRODUCT	ZIPLINE	NOVOLUME	MARKISOLETTE	OPENLINE
Width*	600 -6,000 mm	600 -6,000 mm	600 -3,000 mm	600 -5,000 mm
Max. height*	5,000 mm	5,000 mm	3,500 mm	3,500 mm
Aluminium frame colour	All RAL K7 CLASSIC colours	All RAL K7 CLASSIC colours	All RAL K7 CLASSIC colours	All RAL K7 CLASSIC colours
Standard operation	Motore radio io homecontrol	Motore radio io homecontrol	Motore radio io homecontrol	Motore radio io homecontrol
Multi-element systems	-	✓	✓	-
LED light strip	✓ only with E150	✓ only with NL E150	-	-
viewing window	✓	✓	-	✓
Crank operation	✓ only with R95	✓	✓	✓
Motor (for cable guide)	✓	✓	✓	✓
radio motor	✓	✓	✓	✓
Motore radio a energia solare incl. batteria e pannello solare	✓	✓	✓	✓
Installation in window reveal	✓ not with P120	✓	✓	✓

\* Depending on product design



# WE ARE SUNLIGHT DESIGN

WO&WO Sonnenlichtdesign GmbH & Co KG  
Hafnerstraße 193, 8054 Graz, AUSTRIA  
[www.woundwo.com](http://www.woundwo.com)

YOUR **WOUNDWO** DEALER

© **WOUNDWO**, Q2 2023